



User Manual



Countertop Pizza Oven

Models: BPO1, BPO2

Please read and keep these instructions. Indoor use only.

Index

Important Safety Information.....	3
Identification of Key Parts.....	4
Circuit Diagram.....	4
Installation of Your pizza Oven.....	5
Before Using Your Oven.....	5
Using Your Oven.....	6
Typical Operation Sequence.....	6
Timer.....	6
Temperature Control Knob.....	7
Power and Heating Indicator Light.....	7
Protection Component.....	7
Cleaning and Maintaining Your Oven.....	7
Trouble shooting.....	7

IMPORTANT SAFETY INFORMATION

When using electrical appliances, basic safety precautions should always be followed, including the following:

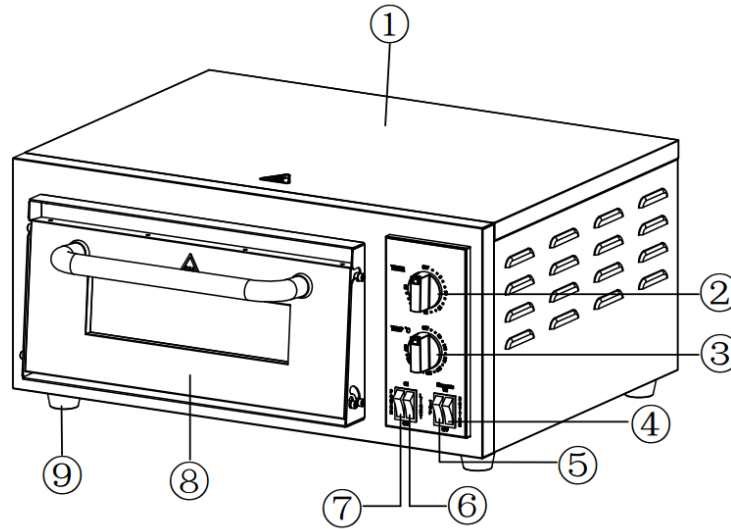
1. Read all instructions carefully and completely.
2. For commercial use only.
3. Do not touch hot surfaces.
4. Protect against electrical shock by keeping all cords, plugs, and other electrical components away from water or other liquids.
5. Switch off power supply and unplug this unit when not in use and before cleaning.
6. Allow the unit to cool before putting on or taking off parts and before cleaning.
7. Do not operate this or any appliance with a damaged electrical cord or plug.
8. Do not operate this or any appliance after it has malfunctioned or been damaged in any way.
9. Do not use outdoors.
10. Do not place on or near a hot gas or electric burner.
11. Attach plug to appliance first, then plug electrical cord into the wall outlet.
12. Disconnect the unit by turning the temperature and timer control to "OFF", then removing the electrical plug from the wall outlet.
13. Do not use appliance for any application other than intended use.
14. Do not insert metal utensils or oversized foods into this unit as they may cause a fire and heighten the risk of electrical shock.
15. Do not store any item on top of this unit when in operation.
16. Do not allow this oven to touch or be covered by flammable material, such as curtains, draperies, walls, etc., when in operation.
17. Do not clean with metal scouring pads as pieces can break off and touch electrical components, heightening the risk of electrical shock
18. Never place materials such as paper, cardboard, plastic, etc. in this oven.
19. Do not cover interior of this unit with metal foil as it may cause the oven to overheat.
20. Avoid scratching the surface or nicking the edges of this unit's tempered, safety glass door. If the oven door has a scratch or nick, contact customer service before use.
21. Turn the appliance off by turning the temperature and timer control to the "OFF" position.
22. Note that the use of accessories not recommended by the manufacturer may result in injury.
23. Children should be supervised to ensure that they do not play with the oven.
24. This appliance is not intended for use by persons (including children) with reduced physical sensory or mental capabilities, or lack of experience and knowledge, unless they have been given supervision or instruction concerning use of the appliance by a person responsible for their safety.
25. When using the appliance in shops, snack bars, hotels etc., check the voltage and outlet to make sure the appliance is correctly connected with power.
26. Place unit on a flat surface that is well ventilated. The appliances must be supervised during operation, DO NOT leave appliance without powering off.

IMPORTANT!

Ensure a gap of at least 100mm is provided all the way around the appliance for ventilation. Ensure all ventilation slots in the rear and side panels are not obstructed. The Feet **MUST BE FITTED** before use

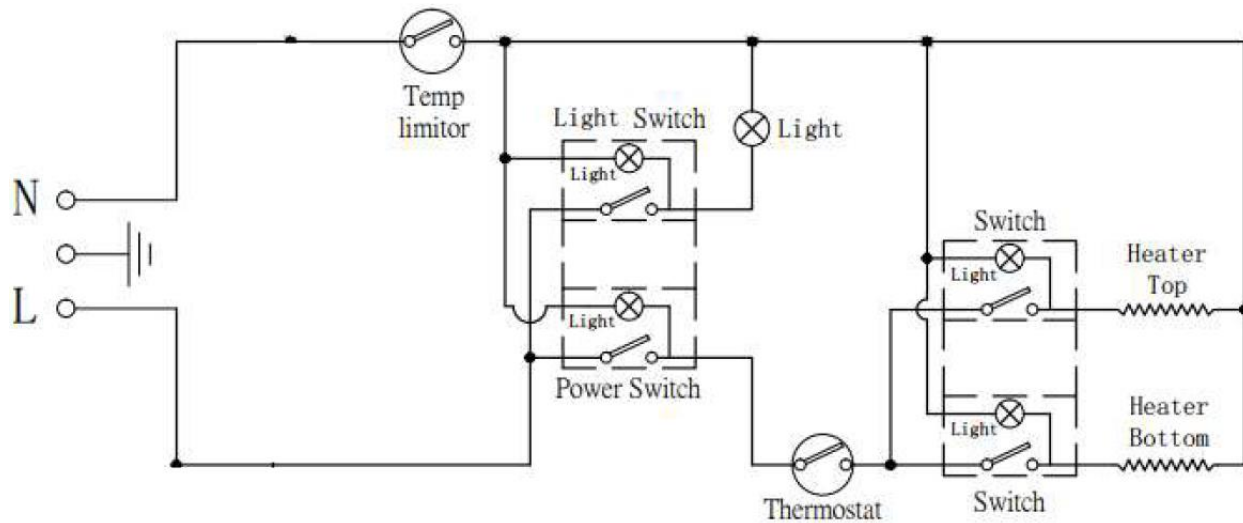
NOTE: Save these instructions for future reference.

Identification of Key Parts



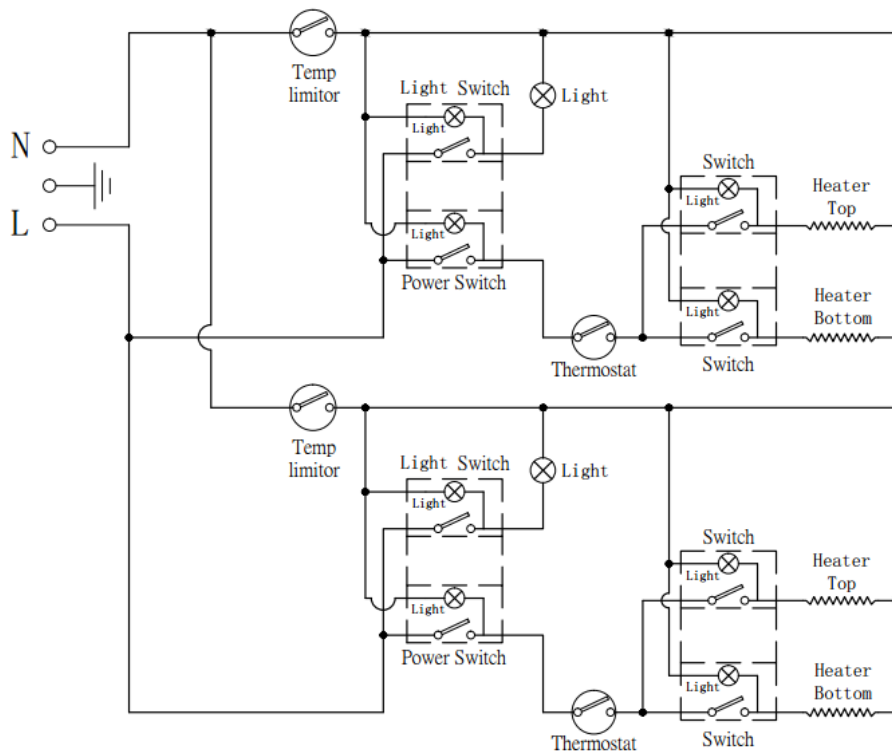
1. Main body 2.Timer knob 3.Temperature knob 4. Bottom heating element switch
5. Top heating element switch 6. Light switch 7. Power switch 8. Door 9. Rubber feet

Circuit diagram



NOTE! The Timer does not switch off the oven, it is a mechanical timer (minute minder)

BPO1



BPO2

INSTALLATION OF YOUR OVEN

BPO1: 220-240V/50Hz, 2400W; fit for 1x16"(40cm) pizza. A 13 Amp socket outlet required

BPO2: 220-240V/50Hz, 4800W. fit for 2x16"(40cm) pizza. A dedicated 30Amp power supply is required

All electrical connections must comply with specification and power standard, the installation operation must be done by qualified personnel.

All models are countertop type, put the oven in a flat surface, and leave enough space (suggested 100mm&4") for the air ventilation.

BEFORE USING YOUR OVEN

Before cooking anything in your pizza oven for the first time, please follow these simple instructions:

Using a small amount of mild detergent in warm water with a cloth, clean the handle and roasting racks with soapy water. (NOTE: Do not use a spray or abrasive polishing agent.) Gently wipe down interior walls with a damp cloth. While cleaning this unit, do not touch the electric heating element. Do not soak the inside of the oven with water.

After cleaning and thoroughly drying the surfaces noted above, open the oven door and place ceramic pizza deck into the bottom with the slots on front of deck facing front of the oven.

Close the oven door and preheat the oven to its highest temperature setting for 5 minutes.

Turn off the heating elements and open the oven door in order to remove any smoky residue from inside the oven. The heating elements are well lubricated and this initial use will help burn off the extra grease. A light amount of smoke is normal during this process.

Using Your Oven

To start your oven, you need to turn on the power switch, then turn on heater switch to switch on upper and lower elements individually or together and set the temperature dial to set your desired cooking temperature, the pizza oven will start to work. Pre-heat the oven for 15 minutes before cooking,

Turn on the light switch to operate the light of the pizza oven.

When turn on the power switch, set the temperature and time, heating elements of top and bottom can open or stop separately, once temperature reached, heating elements would stop working. When the temperature gets lower, heating elements will start to work again.

This oven has high temperature protection function, once the inner temperature gets too high, the pizza oven will automatically shut off. If you would like to reset the temperature limiter.

CAUTION: During the baking process, make sure that no metal accessory comes in contact with the electric heating elements.

CAUTION: Foods baked in this oven will be hot. The casing and door will become very hot. Use the cool door handle and wear protective hand and forearm coverings when reaching into oven to retrieve food.

Typical Operation Sequence

ACTION	RESULT
Plug in your pizza oven	Power is connected, press power switch to turn on.
Adjust temperature control knob	Heating indicator light comes on; heating elements begin to heat up
Temperature light shuts off	Oven has reached desired temperature
Load product into oven	Product will begin to cook
Set timer to desired cook time between 0-30 min	Timer starts timing down
Timer reaches zero	Timer chimes as warning, pizza oven still heating
Unload oven	Product will be cooked/hot; use caution removing it from the oven

Timer

The range of the timer on this unit is 0-30 minutes. Turning the timer to the "0" position, the cooking time is over and the timer will "ding" to alert.

The oven will still be heating even the cooking time is over.

If you need to reset the baking time while the oven is in operation, simply turn the timer to a new position. The oven will reset the time according to the revised requirement without needing to be turned off.

Temperature Control Knob

The temperature range of this unit is 50-400°C/125-750°F. This thermostatic controls the temperature inside the oven and helps to maintain the proper temperature during various heating, roasting, and baking applications. If the top and bottom heaters are switched on, the heater switch will illuminate when heating, the oven is at temperature when the lights on the heater selector switches go out.

Power Indicator Light

Any time this appliance is connected to the power supply with the power switch turned on. The power indicator light will be on when set the temperature and time.

Protection Component

If the temperature of this oven reaches an unsafe limit, the electrical components will shut off and it will stop operating in order to prevent overheating.

Cleaning & Maintaining Your Oven

To clean, first remove the power cord's plug from the wall outlet. Wait for the oven to cool. Use a damp cloth or sponge to gently wipe down the inside of the oven. Avoid soaking the inside of the oven or washing it in running water as this will cause serious damage to the unit. DO NOT USE harsh sanitizing spray, wipe the external panels with a damp cloth, dry and clean with stainless steel cleaner.

Troubleshooting

Problem: The pizza oven does not work.

- Be sure that the plug is connected and switched on, check the fuse and circuit breakers.
- Be sure that the electricity is normal.

Problem: There is a metallic sound when the oven is in use.

- Do not attempt to dismantle the oven.
- Contact your service agent right away to examine.

Problem: Food is often overcooked or burned, even when cooked according to the recipe.

- Contact your service agent to examine the temperature control knob.

Problem: The pizza oven cannot reach to setting temperature.

- Ensure that top heating element turn on as well, if only turn on bottom heating element will have such situation.

Problem: The pizza oven is not heating but inner light can turn on.

- Check both heater switches are in the on position and the thermostat is set correctly.
- Contact your service agent to examine the pizza oven

Disposal:



EU regulations require products to be disposed of by specialist companies who remove or recycle products, including electronic, metal and plastic components. Consult your local waste collection authority regarding disposal of your appliance. Local authorities are not obliged to dispose of commercial equipment but may be able to offer advice on how to dispose of the equipment locally. All packaging materials should be disposed of in an environmentally friendly way. The cardboard may be used as scrap paper. The protective foil and the foam cushions are CFC-free. Do not allow children to play with the packaging and destroy plastic bags safely.

Environmental protection:



Discarded electric appliances are recyclable and should not be discarded in the domestic waste! Please actively support us in conserving resources and protecting the environment by returning this appliance to the collection centres (if available).

Compliance

Parts have undergone strict product testing in order to comply with regulatory standards and specification set by international, independent, and federal authorities. Products have been approved to carry the following symbol:

