



Storage Refrigerator & Freezer



Installation, Operation & Maintenance Manual
(HC Gas R290 used)

***PLEASE READ THE MANUAL THOROUGHLY PRIOR TO
EQUIPMENT SET-UP, OPERATION AND MAINTENANCE.***

INSTALLATION/ OPERATION

IMPORTANT!!! PLEASE READ BEFORE INSTALLATION

- If the unit has recently been transported please let unit stand still for a minimum of 24 hours before plugging it in.
- Make Ensure all the protective film / adhesive is removed along with packaging
- Make sure that the unit drops down to desired temperature before loading the unit with product.
- Make sure that there is proper ventilation around the unit in the area where it will operate.
- Make sure all accessories are installed (i.e. shelves, shelf clips, casters) before plugging the unit in.
- Please read through the manual in its entirety.

CABINET LOCATION GUIDELINES

- **Install the unit on strong and leveled surfaces**
 - unit may make unpleasant noises if surface is uneven
 - unit may malfunction if surface is uneven
 - Unlevel surfaces can cause the cabinet to twist and affect the door alignment
- **Install the unit in an indoor, well-ventilated area**
 - unit performs more efficiently in a well-ventilated area
 - for best performance, please maintain clearance of 100 mm on the back of the unit
 - Ensure the ambient temperature is between 16 degrees C and 30 degrees C
- **Avoid installation in a high humidity and/or dusty area**
 - humidity could cause unit to rust and decrease efficiency of the unit
 - dust collected on condenser coil will cause unit to malfunction. Clean the condenser at least once a month with a brush or clean cloth
 - malfunction due to dirty condenser will void warranty
- **Select a location away from heat and moisture-generating equipment**
 - high ambient temperatures will cause the compressor to overwork, leading to higher energy bills and gradual breakdown of the unit
 - malfunction due to high ambient temperature will void warranty

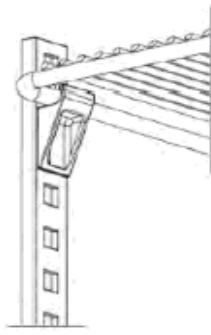


Figure 1.

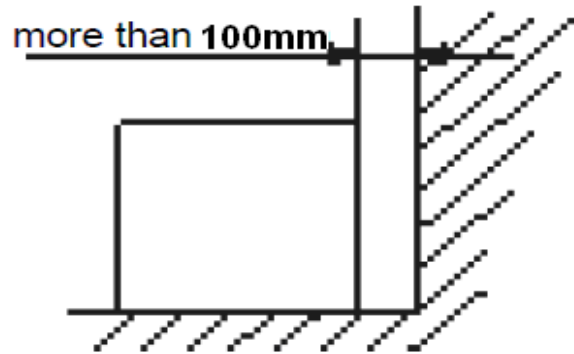


Figure 2.



Please dispose of all waste packaging appropriately and in accordance with all local recycling laws.

All electrical work must be carried out by suitably qualified persons

ELECTRICAL

Please ensure that the required voltage of the compressor is being supplied at all times. Low or high voltage can detrimentally affect the refrigeration unit.

All units should be plugged into a grounded and properly-sized electrical outlet with appropriate overcurrent protection. Please refer to the electrical requirements on the nameplate of the unit. Please make sure that your unit has its own dedicated outlet. Do not use an extension cord.

Adjusting the Set Temperature

1. Press and hold the set button for 3 seconds till the C led starts blinking with the current set temperature shown
2. Use the arrow keys to adjust to the required set temperature setting.
3. Press the set key to store, then leave for approx. 5 secs till the display shows the cabinet temperature, the cabinet will then cool down to the new set temperature.

NOTE! The temperature shown on the display will fluctuate during normal use as the unit regulates the cabinet temperature.

LOADING PRODUCT

Shelves have been factory-installed for your convenience. Before loading shelves, please be sure that all shelf clips are completely fastened in their correct locations. It is important that all shelves rest completely level before stocking your cabinet with product. In order to maintain correct air flow inside the unit, please be sure to leave 50 mm to 100 mm of space between the back wall and stored product. Blocking the evaporator fans will result in a warmer cabinet temperature, and ultimately compressor failure. Products must be pre-chilled / pre-frozen before loading into the cabinet.

**WARNING**

Do **NOT** exceed the maximum shelf loading weight of **60kg** per shelf, so as to avoid injury and/or damage.

DEFROST SYSTEMS

Refrigerator coils are kept below the freezing point (0 C). During compressor down-time, the evaporator fan continues to circulate air through the evaporator coil. This air circulation raises the coil temperature above the freezing point, melting any accumulated frost. Run-off water is drained into the evaporator pan and evaporated.

IMPORTANT! Freezer versions do not defrost automatically. A manual defrost is required when the formation of ice reaches 5mm thick on any shelf. Switch off the unit and remove the frozen products, place empty containers on each shelf to contain the water created when the ice melts. Provision to be allowed to soak up water from the bottom shelf. DO NOT use any hard object to scrape the ice as damage can occur.

PLEASE NOTE: Excessive door openings should be avoided in order to maintain cabinet temperature and to reduce the possibility of coil freeze-up.

SAFETY / WARNING

Please pay close attention to the safety notices in this section. Disregarding these notices may lead to serious injury and/or damage to the unit.

ATTENTION

- To minimize shock and fire hazards, be sure not to overload the socket outlet. Please designate one outlet for your unit.
- Do not use extension cords.
- Do not put your hands under the unit when the unit is required to be moved.
- When the unit is not in use for a long period of time, please unplug the unit from the outlet. Clean and dry the cabinet thoroughly.
- After unplugging the unit, wait at least 10 minutes before re-plugging it. Failure to do so could cause damage to the compressor.

UNPLUG CORD

- To minimize shock and fire hazards, please do not plug or unplug the cord with wet hands.
- **IMPORTANT!** During maintenance and cleaning, please unplug the unit from the electrical supply.

PROPER GROUNDING REQUIRED

- To minimize shock and fire hazards, make sure that the unit is properly grounded.

PROHIBITION

- Do not attempt to remove or repair any component unless instructed by factory.
- Make sure that the unit is not resting on or against the electrical cord and plug.
- To minimize personal injury, do not hang on the doors.
- Do not store any flammable and explosive gas or liquids inside the unit.
- Do not attempt to alter or tamper with the electrical cord.

REGULAR MAINTENANCE

CLEANING THE CONDENSER COIL

- For efficient operation, it is important that the condenser surface be kept free of dust, dirt, and lint.
- We recommend cleaning the condenser coil and fins at least once per month.
- Clean with a commercial condenser coil cleaner, available from any kitchen equipment retailer. Brush the condenser fins from top to bottom, not side to side.
- After cleaning, straighten any bent condenser fins with a fin comb.



CLEANING THE FAN BLADES AND MOTOR

If necessary, clean the fan blades and motor with a soft cloth. If it is necessary to wash the fan blades, cover the fan motor to prevent moisture damage.

CLEANING THE UNIT

- When cleaning the cabinet interior, use a solvent of warm water and mild soap.
- Do not use steel wool, caustic soap, abrasive cleaners, or bleach that may damage the stainless steel surface.
- Wash door gaskets on a regular basis, preferably weekly. Simply remove door gasket from the frame of the door, soak in warm water and soap for thirty (30) minutes, dry with soft cloth, and replace.
- Check door gaskets for proper seal after they are replaced.
- Periodically remove the shelves and pilasters from the unit and clean them with mild soap and warm water. To remove the pilasters, first remove the shelves and shelf brackets. Then, simply lift the pilaster up and out.
- When cleaning the cabinet exterior, use a solvent of warm water and mild soap, dry thoroughly, stainless steel surfaces should be finished with stainless steel cleaner

WARNING

Disconnect power cord before cleaning any parts of the unit.

TROUBLE SHOOTING

Before requesting any service on your unit, please check the following points. Please note that this guide serves only as a reference for solutions to common problems.

SYMPTOM	POSSIBLE CAUSE	CORRECTIVE ACTION
Compressor not running.	Fuse blown or circuit breaker tripped. Power cord unplugged. Thermostat set too high. Cabinet in defrost cycle.	Replace fuse or reset circuit breaker. Plug in power cord. Set thermostat to lower temperature. Wait for defrost cycle to finish.
Condensing unit runs for long periods of time.	Excessive amount of warm product placed in cabinet. Prolonged door opening or door ajar. Door gasket(s) not sealing properly. Dirty condenser coil. Evaporator coil iced over.	Allow adequate time for product to cool down. Ensure doors are closed when not in use. Avoid opening doors for long periods of time. Ensure gaskets are snapped in completely. Remove gasket and wash with soap and water. Check condition of gasket and replace if necessary. Clean the condenser coil. Unplug unit and allow coil to defrost. Make sure thermostat is not set too cold. Ensure that door gasket(s) are sealing properly.
Cabinet temperature is too warm.	Thermostat set too warm. Blocking air flow.	Set thermostat to lower temperature. Re-arrange product to allow for

	Excessive amount of warm product placed in cabinet. Fuse blown or circuit breaker tripped. Dirty condenser coil. Prolonged door opening or door ajar. Evaporator coil iced over.	proper air flow. Make sure there is at least 50 mm of clearance from evaporator. Allow adequate time for product to cool down. Replace fuse or reset circuit breaker. Clean the condenser coil. Ensure doors are closed when not in use. Avoid opening doors for long periods of time. (see above)
Cabinet is noisy.	Loose part(s). Tubing vibration.	Locate and tighten loose part(s). Ensure tubing is free from contact with other tubing or components.
Bottom shelves are not frozen in the freezer	Upper Shelves heavily frosted. Overheating Refrigeration system problem	Defrost the cabinet fully, check set point is -20 degrees C Ensure plenty of ventilation around the cabinet, check fans are operational Consult specialist technician

Technical Specifications

Model	Voltage	Gas type	Power (W)	Current (A)	Temperature Range(°C)	Capacity (litres)
HW400	220~240V/50Hz	R290	267	1.6	0~ +10	320
LW400	220~240V/50Hz	R290	350	1.7	-18~ -22	320
HS400	220~240V/50Hz	R290	267	1.6	0~ +10	320
LS400	220~240V/50Hz	R290	350	1.7	-18~ -22	320
HW600	220~240V/50Hz	R290	267	1.6	0~ +10	600
LW600	220~240V/50Hz	R290	350	1.7	-18~ -22	600
HS600	220~240V/50Hz	R290	267	1.6	0~ +10	600
LS600	220~240V/50Hz	R290	350	1.7	-18~ -22	600

Electrical Wiring

Appliances are supplied with a 3 pin, moulded, BS1363 plug and lead, with a 13 amp fuse as standard. The plug is to be connected to a suitable mains socket. Appliances are wired as follows:

Live wire (coloured brown) to terminal marked L

Neutral wire (coloured blue) to terminal marked N

Earth wire (coloured green) to terminal marked E

All appliances must be earthed, using a dedicated earthing circuit.

If in doubt consult a qualified electrician.

Electrical isolation points must be kept clear of any obstructions. In the event of any emergency disconnection being required they must be readily accessible.

**Pentland Wholesale Ltd, Blizzard house, Unit17 Walker Park Industrial Estate,
Walker Road, Blackburn, Lancs, BB1 2QE. Tel: 01254 614444,**

www.pentlandwholesale.co.uk

R290 refrigerant is used for this equipment.



Caution!

Consult repair manual/owner's guide before attempting to install or service this product. All safety precautions must be followed. Dispose of properly in accordance with federal or local regulations. Risk of fire or explosion due to puncture of refrigerant tubing. Follow handling instructions carefully.

Danger!

Risk of fire or explosion. Flammable refrigerant used. To be repaired only by trained service personnel. Do not use mechanical devices to defrost refrigerator. Do not puncture refrigerant tubing.

Disposal



EU regulations require refrigeration product to be disposed of by specialist companies who remove or recycle all gasses, metal and plastic components.

Consult your local waste collection authority regarding disposal of your appliance. Local authorities are not obliged to dispose of commercial refrigeration equipment but may be able to offer advice on how to dispose of the equipment locally.

All packaging materials should be disposed of in an environmentally friendly way.

The cardboard may be used as scrap paper. The protective foil and the foam cushions are CFC-free.

Do not allow children to play with the packaging and destroy plastic gags safely.



Environmental protection

Discarded electric appliances are recyclable and should not be discarded in the domestic waste! Please actively support us in conserving resources and protecting the environment by returning this appliance to the collection centers (if available).

Compliance

Parts have undergone strict product testing in order to comply with regulatory standards and specification set by international, independent, and federal authorities.

Products have been approved to carry the following symbol:

