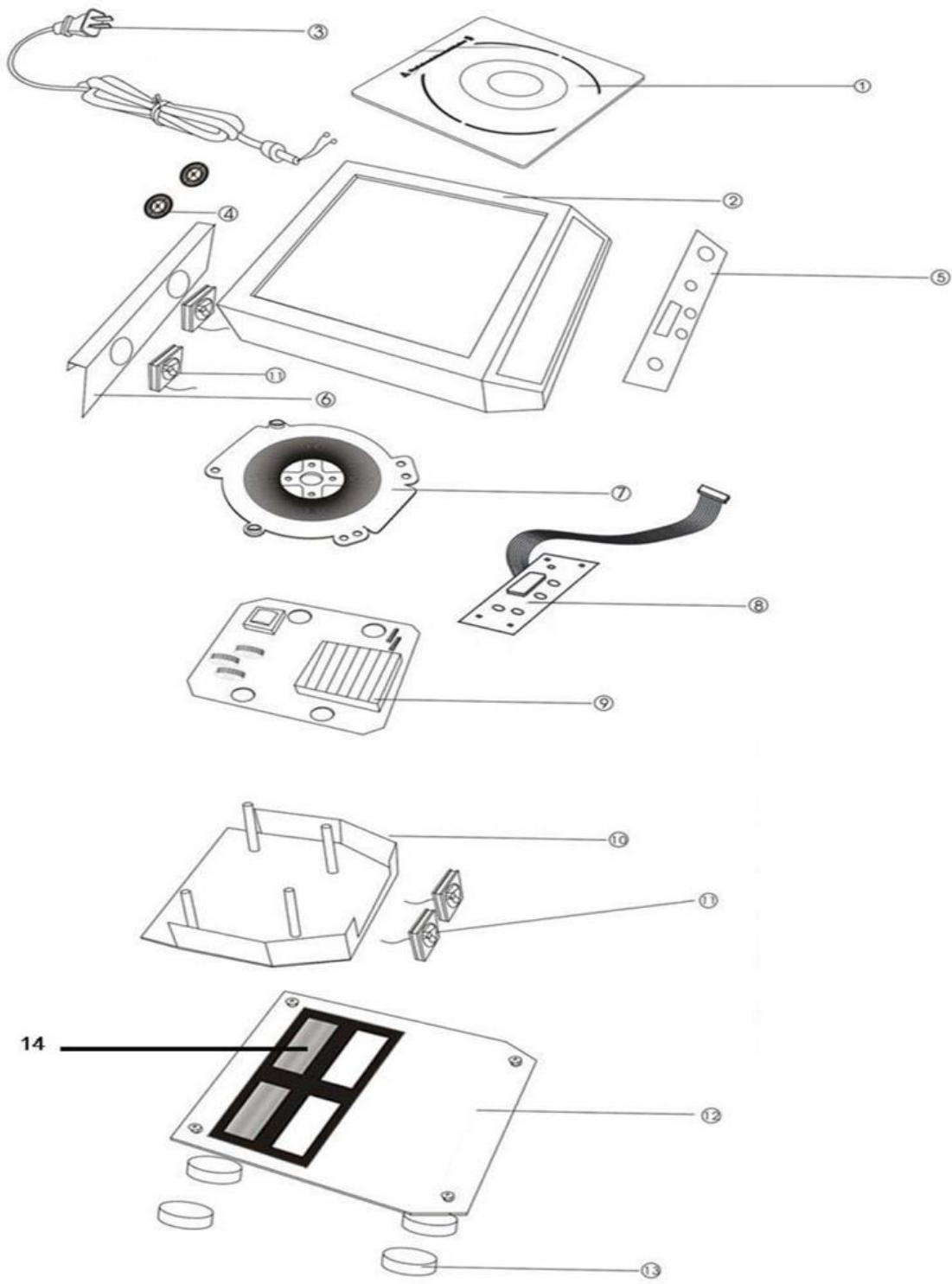


BIH1

Exploded parts diagram







Part Number	Number	Description	Qty
B3-ZIC350A001	1	Glass Plate	1
***	2	Stainless Steel Body	1
***	3	Power Cord	1
***	4	Fan Cover	1
B3-ZIC350A005	5	Control Panel Sticker	1
***	6	Panel	1
B3-ZIC350A007	7	Coil	1
B3-ZIC350A008	8	Control Panel Board	1
B3-ZIC350A009	9	Main Board	1
***	10	Insulation Plastic	1
B3-ZIC350A011	11	Fan	1
***	12	Aluminium Plate	1
***	13	Foot	4
***	14	Filter	1

*** Please contact Spares for assistance ***