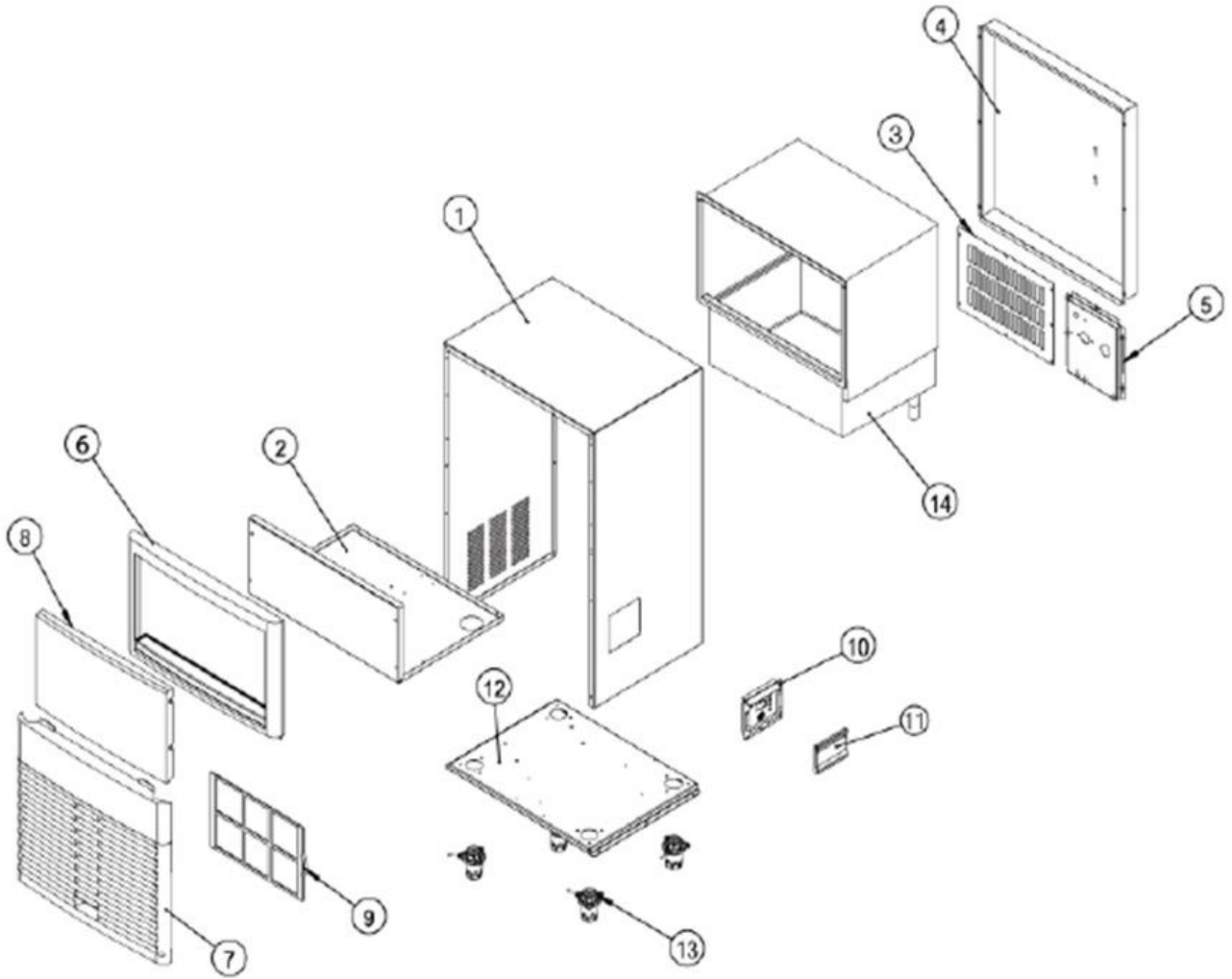


BIM40

Exploded parts diagram

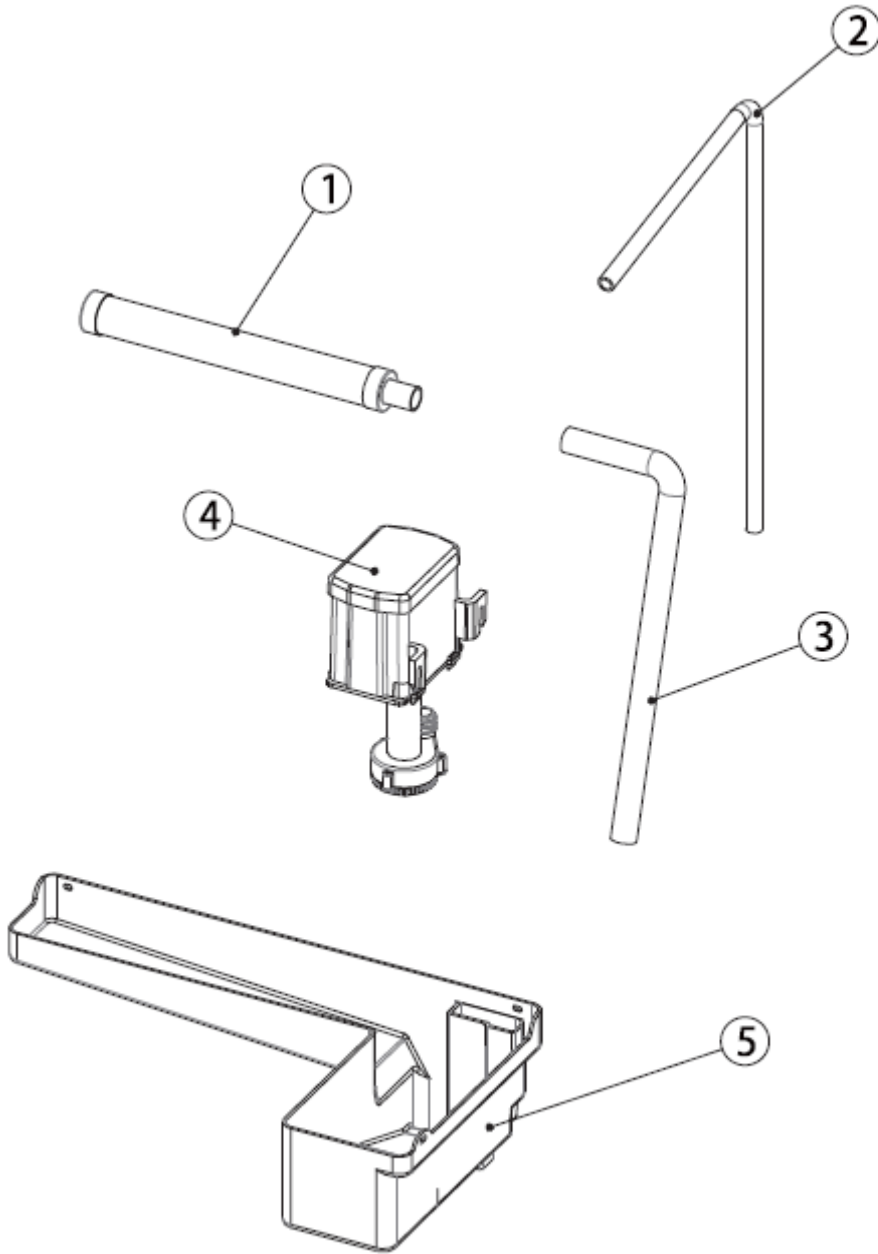






Part Number	No.	Description	Qty
***	1	Casing	1
***	2	Inner Partition	1
***	3	Rear Grille	1
***	4	Rear Panel	1
***	5	Water Inlet and Drain Bracket Panel	1
L3-FRAME01	6	Door Frame	1
L3-GRILLE01	7	Front Vent Grille	1
L3-DOOR01	8	Door	1
L3-FILTER01	9	Condenser Filter	1
L3-PANELASSY	10	Control Panel Base	1
***	11	Control Panel Cover (see No. 10)	1
***	12	Base Plate	1
L3-FOOT01	13	Foot	4
***	14	Ice Bin	1
L3-LED01	N/A	LED Light	1

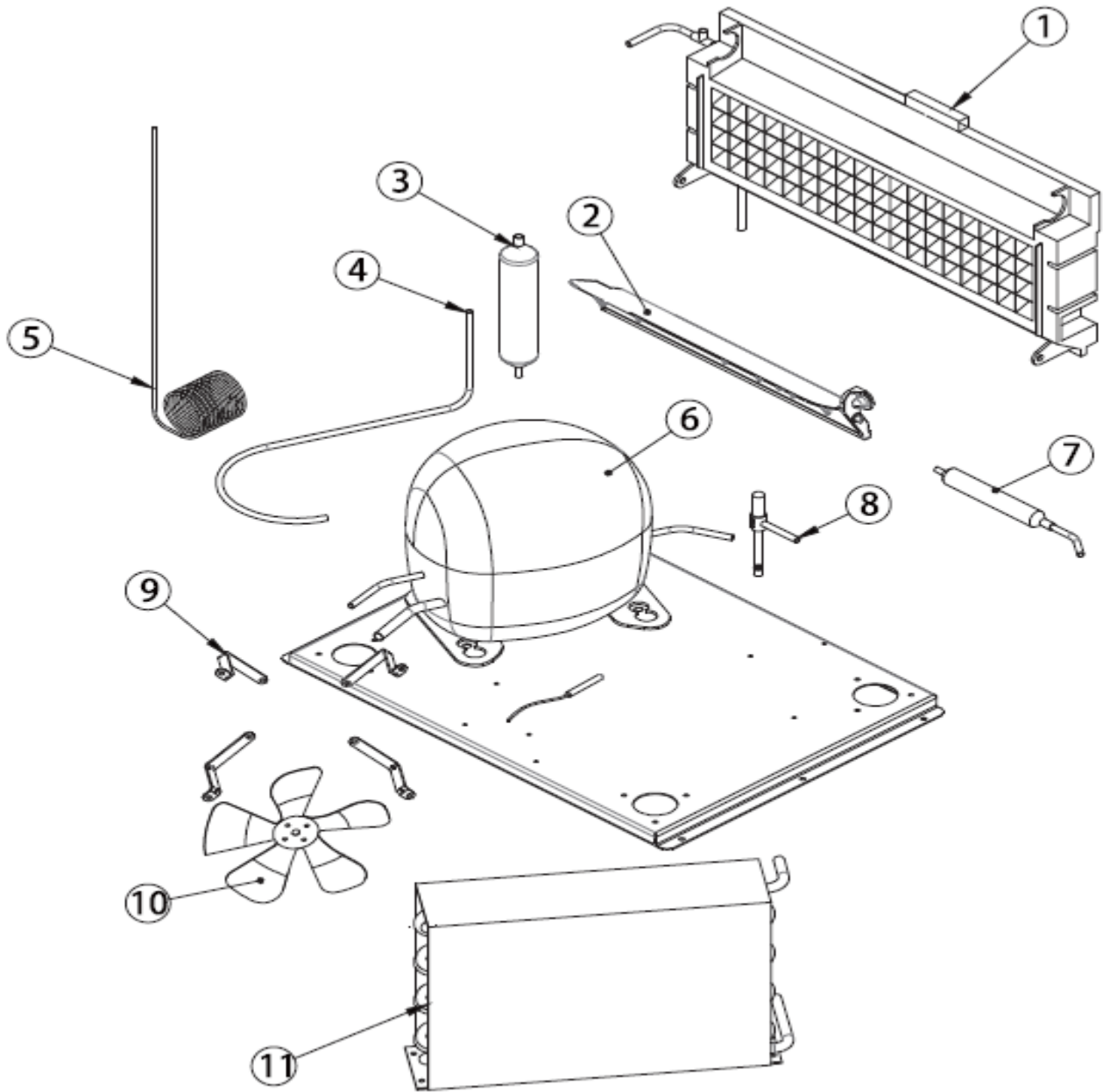
*** Please contact Spares for assistance***





Part Number	No.	Description	Qty
L3-SPRAYBAR01	1	Spray Bar	1
***	2	Feeder Tube	1
***	3	Spray Bar Hose	1
L3-PUMP01	4	Water Pump	1
L3-TANK01	5	Water Reservoir	1

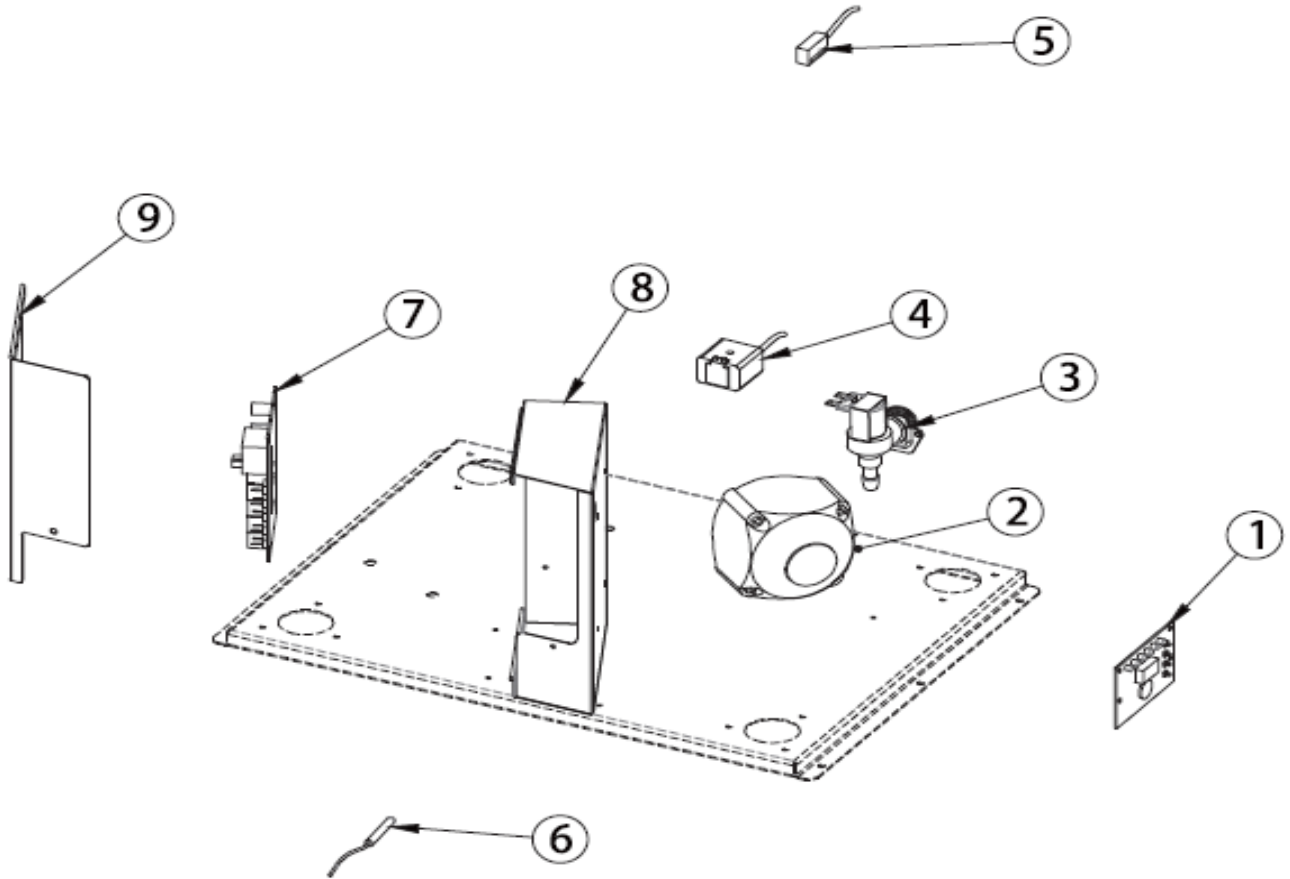
*** Please contact Spares for assistance***





Part Number	No.	Description	Qty
***	1	Evaporator	1
L3-DEFLECTOR01	2	Deflector Flap	1
***	3	Accumulator	1
***	4	Suction Pipe	1
L3-CAP01	5	Capillary	1
L3-COMP01	6	Compressor	1
R4-DRIER20	7	Drier	1
L3-HGV01	8	Hot Gas Valve (body)	1
***	9	Fan Bracket	4
***	10	Fan Blade	1
L3-COND01	11	Condenser	1

*** Please contact Spares for assistance***





Part Number	No.	Description	Qty
***	1	Display Panel (see No. 7)	1
L3-CONDFAN01	2	Condenser Fan motor (C/W Blade)	1
L3-IV01	3	Water Inlet Valve	1
L3-COIL01	4	Hot Gas Coil	1
L3-MS01	5	Ice Level Micro Switch	1
L3-SENSOR	6	Condenser Sensor	1
L3-PCB01	7	PCB (C/W Display)	1
***	8	Electrical Box	1
***	9	Electrical Box Cover	1

*** Please contact Spares for assistance***