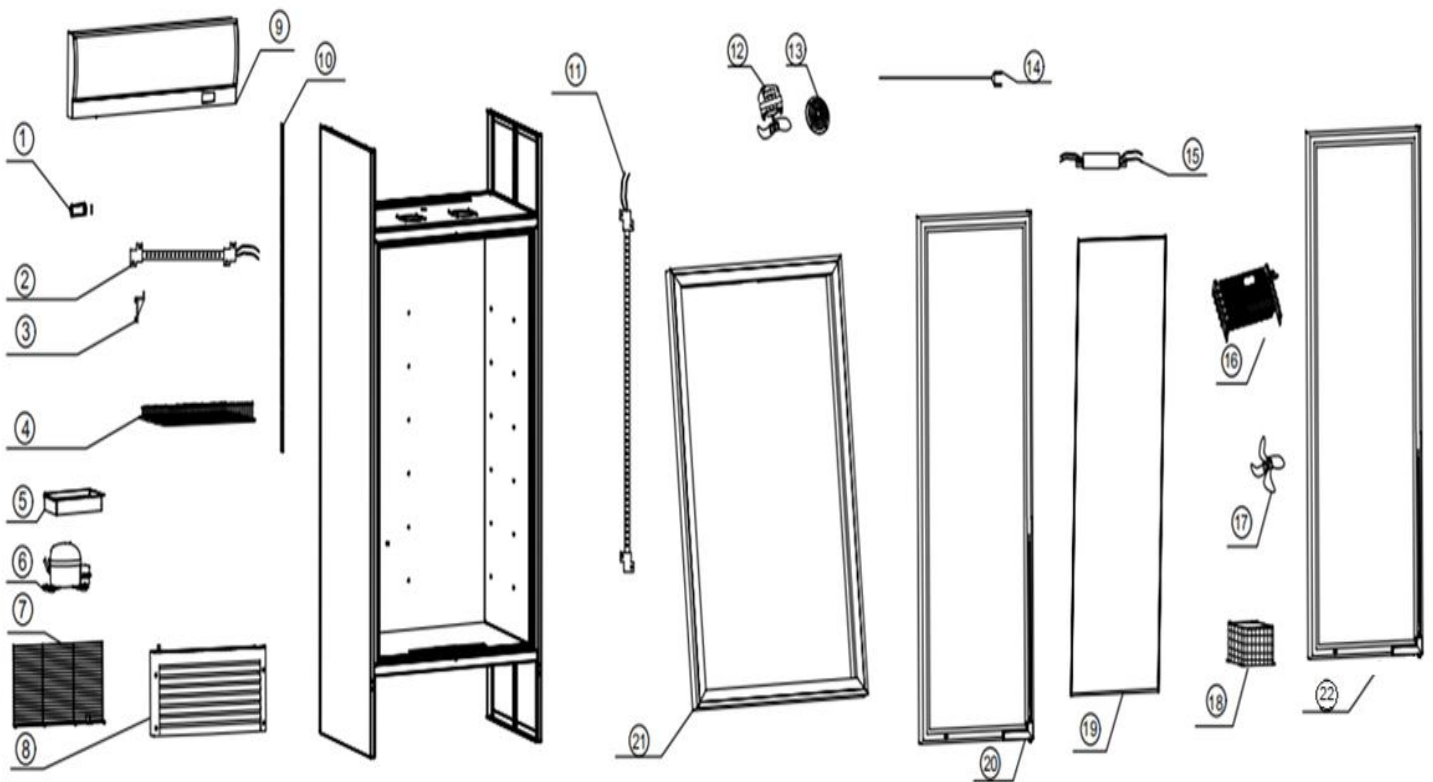


GD630(SL)/900(SL)

Exploded parts diagram



Part Number	No.	Description	Qty
B9-STAT02	1	Controller Carel BC/GD350/630/900merchandiser	1
K8-PROBE01	1a	Temperature sensor	1
B9-LEDCAN9	2	LED light for top merchandiser canopy GD900/900SL	1
B9-LEDCAN6	2	LED light for top merchandiser canopy GD630	1
B9-CLIP	3	Shelf Clip BC/GD350/630/900merchandiser	32
B9-SHELF900	4	Shelf GD900/SL	8
B9-SHELF630	4	Shelf GD630/SL	8
B9-TRAY	5	Condensate tray GD630/900/SL	1
B9-COMP06	6	Compressor GD630/900/SL	1
B9-GRILL900	8	Lower front panel GD900/900SL	1
B9-GRILL630	8	Lower front panel GD630/630SL	1
B9-CANOPY9	9	Top Light Canopy GD900/900SL	1
B9-CANOPY6	9	Top Light Canopy GD630/630SL	1
B9-LADDER	10	Ladder rack BC/GD350/630/900merchandiser	8
B9-LED15	11	LED light Vertical BC/GD350/630/900merchandiser	2
B9-FAN63	12	Fan motor Evap GD630/900merchandiser	1
B9-SPRING	14	Door spring GD630SL/900SL	2
B9-LEDTRANS02	15	Transformer LED 12 V driver transformer	1
B9-EVAP630	16	Evaporator coil GD630/SL	1
B9-EVAP900	16	Evaporator coil GD900/SL	1
K8-FAN01	17	Condenser fan motor	1
B9-COND630	18	Condenser coil GD630/SL	1
B9-COND900	18	Condenser coil GD900/SL	1
B9-GASKET63	19	Gasket GD630	2
B9-GASKET63S	19	Door gasket GD630SL	2
B9-GASKET90	19	Door gasket GD900	2
B9-GASKET90S	19	Door gasket GD900SL	2
B9-DOOR63HL	20	Door Left hand hinged GD630	1
B9-DOOR63SL	20	Door Left hand sliding GD630SL	1
B9-DOOR90HL	20	Door Left hand hinged GD900	1
B9-DOOR90SL	20	Door Left hand Sliding GD900SL	1
B9-RIM63	21	Door frame GD630SL	1
B9-RIM90	21	Door frame GD900SL	1
B9-DOOR63HR	22	Door Right hand hinged GD630	1
B9-DOOR63SR	22	Door Right hand sliding GD630SL	1
B9-DOOR90HR	22	Door Right hand hingedGD900	1
B9-DOOR90SR	22	Door Right hand Sliding GD900SL	1
B9-SWITCH02	23	Door switch GD630/900	2
B9-HINGEU63	24	Hinge upper pair GD630/900	1
B9-HINGEL63	25	Hinge Lower pair GD630/900	1
B9-ROLLER	25	Door roller GD630SL/900SL	4
B9-HANDLE63	26	Door Handle GD630/GD900	2